



Flight Model Wheelchair
Effective Apr 7 2009

ORDERING INFORMATION PHONE: (316) 755-3477, FAX: (316) 755-3374, WEBSITE: www.airwheelchair.com

ACCOUNT INFORMATION

Account No: _____ Drop Ship/Ship To: _____
 Date: _____ Name: _____
 P.O.#: _____ Address: _____
 Buyer: _____ City: _____ State: _____
 Marked For: _____ Zip Code: _____ Phone Number: _____

FLIGHT

K0005 Flight Model \$2,950.00

APPEARANCE

Frame Color

<input type="checkbox"/> P001	Black	NC
<input type="checkbox"/> P002	Crimson Red	NC
<input type="checkbox"/> P003	Canary Yellow	NC
<input type="checkbox"/> P004	Blue	NC
<input type="checkbox"/> P005	Forest Green	NC
<input type="checkbox"/> P006	Midnight Purple	NC
<input type="checkbox"/> P007	Hot Pink	NC
<input type="checkbox"/> CP001	*Painted to Order*	POR
<input type="checkbox"/>	Contact Custom Finish	
	Department: (316) 755-3477	

Side Decal

<input type="checkbox"/> D001	American Flag	\$150.00
<input type="checkbox"/> D002	Camouflage (Advantage® MAX-4™ HD)	\$150.00
<input type="checkbox"/> D003	Flames on Black	\$150.00
<input type="checkbox"/> CD001	*Created to Order*	\$225.00
<input type="checkbox"/>	Contact Custom Finish	
	Department: (316) 755-3477	

Special Requests: _____

FRAME

Seat Width ¹

<input type="checkbox"/> 30015	15"	NC
<input type="checkbox"/> 30016	16"	NC
<input type="checkbox"/> 30017	17"	NC
<input type="checkbox"/> 30018	18"	NC

Seat Depth

<input type="checkbox"/> 31015	15"	NC
<input type="checkbox"/> 31016	16"	NC
<input type="checkbox"/> 31017	17"	NC
<input type="checkbox"/> 31018	18"	NC

Rear Seat Height

Requested Height
15 1/4" to 18 1/2"

Front Seat Height

Requested Height
17 1/4" to 19 1/2"

Seat Size Note: See Page 2 for details regarding these measurements.

ARMRESTS

Height Adjustable

<input type="checkbox"/> 6001	Tubular Padded Swing Away	\$215.00
-------------------------------	---------------------------	----------

SEATING

Cushion

<input type="checkbox"/> 4001	ROHO™ Low Profile® Quadro® Select®	\$409.00
	Other models available upon request.	
<input type="checkbox"/> 4002	VARILITE™ EVOLUTION	\$350.00
	Other models available upon request.	
Other: _____		

BACKRESTS

Back Type

<input type="checkbox"/> 5101	12" (Straight Post Only)	NC
<input type="checkbox"/> 5102	16" (Push Handle Only)	\$165.00
<input type="checkbox"/> 5103	12" - 16" Adj (Straight Post Only)	NC
	<input type="checkbox"/> 12" <input type="checkbox"/> 13" <input type="checkbox"/> 14" <input type="checkbox"/> 15" <input type="checkbox"/> 16"	
<input type="checkbox"/> 5104	12" - 14" Fold Down Handles With Tension Adjustable Back	\$290.00
	<input type="checkbox"/> 12" <input type="checkbox"/> 13" <input type="checkbox"/> 14"	

Back Angle (Fixed)

<input type="checkbox"/> 5201	+3° (93°)	NC
<input type="checkbox"/> 5202	0° (90°)	STD
<input type="checkbox"/> 5203	-3° (87°)	NC
<input type="checkbox"/> 5204	Other Angle :	NC

Special Requests: _____

FOOTREST

Seat to Footrest Height

<input type="checkbox"/> 7001	11.5"	\$150.00
<input type="checkbox"/> 7002	12"	\$150.00
<input type="checkbox"/> 7003	12.5"	\$150.00
<input type="checkbox"/> 7004	13"	NC
<input type="checkbox"/> 7005	13.5"	NC
<input type="checkbox"/> 7006	14"	NC
<input type="checkbox"/> 7007	14.5"	NC
<input type="checkbox"/> 7008	15"	NC
<input type="checkbox"/> 7009	15.5"	NC
<input type="checkbox"/> 7010	16" ³	NC
<input type="checkbox"/> 7011	16.5" ³	NC
<input type="checkbox"/> 7012	17" ³	NC
<input type="checkbox"/> 7013	17.5" ³	NC

Seat to Footrest Height Note: See Page 2 for details regarding this measurement.

CASTERS

<input type="checkbox"/> 8001	3" x 1" Micro	NC
<input type="checkbox"/> 8002	4" x 1" Solid Polyurethane	NC
<input type="checkbox"/> 8003	5" x 1" Solid Polyurethane	STD
<input type="checkbox"/> 8004	6" x 1" Solid Polyurethane	NC
<input type="checkbox"/> 8005	3" x 1 1/2" Softroll w/Rigid Fork	\$290.00
<input type="checkbox"/> 8006	4" x 1 1/2" Softroll w/Rigid Fork	\$290.00
<input type="checkbox"/> 8007	5" x 1 1/2" Softroll w/Rigid Fork	\$300.00
<input type="checkbox"/> 8009	6" x 1 1/2" Softroll w/Rigid Fork	\$315.00
<input type="checkbox"/> 8008	5" x 1 1/2" Poly w/Rigid Fork	\$290.00
<input type="checkbox"/> 8010	6" x 1 1/2" Poly w/Rigid Fork	\$300.00
<input type="checkbox"/> 8011	4" x 1 1/2" Softroll with Frog Legs™ Suspension Forks	\$400.00
<input type="checkbox"/> 8012	5" x 1 1/2" Softroll with Frog Legs™ Suspension Forks	\$410.00

Occupant Weight _____

Note: Caster position will affect seat height. Please check chart on page 2 to ensure that your caster selection is compatible with your seat height requirements.

PROPER USE OF HCPCS CODES DOES NOT ENSURE COVERAGE OR PAYMENT. FOR COVERAGE INFORMATION, VERIFY THE APPROPRIATE PAYER'S COVERAGE POLICY.

AXLE AND WHEEL (See Charts on Right)

Axle Plate Options		
<input type="checkbox"/>	9010 0° Camber Axle Plate	NC
Center of Gravity <input type="checkbox"/> 1/4" <input type="checkbox"/> 3/4" <input type="checkbox"/> 1-1/4" <input type="checkbox"/> 1-3/4" <input type="checkbox"/> 2-1/4" <input type="checkbox"/> 2-3/4"		
<input type="checkbox"/>	9011 3° Camber Axle Plate	\$320.00
Center of Gravity <input type="checkbox"/> 1/4" <input type="checkbox"/> 1" <input type="checkbox"/> 1-5/6" <input type="checkbox"/> 2-3/4"		

Axle Plate Height		
<input type="checkbox"/>	9001 Position 0" (Shortest)	NC
<input type="checkbox"/>	9002 Position 3/4"	STD
<input type="checkbox"/>	9003 Position 1 1/2"	NC
<input type="checkbox"/>	9004 Position 2 1/4" (Tallest)	NC

Axles		
<input type="checkbox"/>	9101 Stainless Steel Quick Release Axles	STD
<input type="checkbox"/>	9102 Titanium Quick Release Axles	\$200.00

Rear Wheel Type		
<input type="checkbox"/>	9400 Omit Rear Wheel	-\$100.00
<input type="checkbox"/>	9401 24" 36 Spoke Sun	NC
<input type="checkbox"/>	9402 26" 36 Spoke Sun	NC
<input type="checkbox"/>	9411 24" Sun Zero-G Black	\$144.00
<input type="checkbox"/>	9412 25" Sun Zero-G Black	\$150.00
<input type="checkbox"/>	9413 26" Sun Zero-G Black	\$160.00
<input type="checkbox"/>	9414 24" Sun Fusion 16 Black	\$266.00
<input type="checkbox"/>	9415 24" Sun Fusion 16 Silver	\$266.00
<input type="checkbox"/>	9416 25" Sun Fusion 16 Black	\$280.00
<input type="checkbox"/>	9417 25" Sun Fusion 16 Silver	\$280.00
<input type="checkbox"/>	9403 24" Spinergy SPOX	\$650.00
<input type="checkbox"/>	9404 25" Spinergy SPOX	\$650.00
<input type="checkbox"/>	9405 26" Spinergy SPOX	\$650.00
<input type="checkbox"/>	9406 24" Spinergy LX	\$650.00
<input type="checkbox"/>	9407 25" Spinergy LX	\$650.00
<input type="checkbox"/>	9408 26" Spinergy LX	\$650.00
<input type="checkbox"/>	9409 24" Spinergy LX w/FlexRim	\$1270.00
<input type="checkbox"/>	9410 25" Spinergy LX w/FlexRim	\$1270.00

Rear Wheel Tire		
<input type="checkbox"/>	9501 1" Pneumatic Pr1mo V-Trak	NC
<input type="checkbox"/>	9502 1" Solid Tire (24" Wheel Only)	NC
<input type="checkbox"/>	9503 1-3/8" Pneumatic Knobby	NC
<input type="checkbox"/>	9504 1-3/8" Solid Tube Insert	\$45.00

Handrim		
<input type="checkbox"/>	9801 Black Aluminum Anodized	NC
Silver Only For Fusion Wheels		
<input type="checkbox"/>	9802 Black Vinyl Coated	\$150.00
<input type="checkbox"/>	9803 Natural-Fit With Standard Thumb-Grip	\$295.00
<input type="checkbox"/>	9803 Natural-Fit With Super Thumb-Grip	\$340.00
<input type="checkbox"/>	9803 Natural-Fit LT w/ Standard Thumb-Grip	\$325.00
<input type="checkbox"/>	9803 Natural-Fit LT w/ Super Thumb-Grip	\$370.00

Wheel Lock		
<input type="checkbox"/>	9701 High Mount	NC
<input type="checkbox"/>	9702 Low Mount	NC
<input type="checkbox"/>	9703 Do Not Mount Wheel Lock	NC
<input type="checkbox"/>	9704 Omit Wheel Lock	-\$15.00

ACCESSORIES

Rear Anti-Tip		
<input type="checkbox"/>	9301 Rear Anti-Tip	\$155.00

Side Guard		
<input type="checkbox"/>	98001 Plastic Regular	\$170.00

Ultralight Titanium Options		
<input type="checkbox"/>	98101 Rear Axle Bushings ⁴	\$170.00
<input type="checkbox"/>	98102 Caster Stems ⁴	\$225.00
<input type="checkbox"/>	98103 Footplate Yokes ⁴	\$135.00

TOTAL CHAIR PRICE \$ _____

Notes and Special Instructions:

Product Notes

Weight of the Flight Ultralight Wheelchair is 18 lbs. without footplate assembly

Weight capacity for occupant and items carried is 250 lbs.

FOOTNOTES:

¹ Seat width 1" narrower.

² Push handles for 16" back size only.

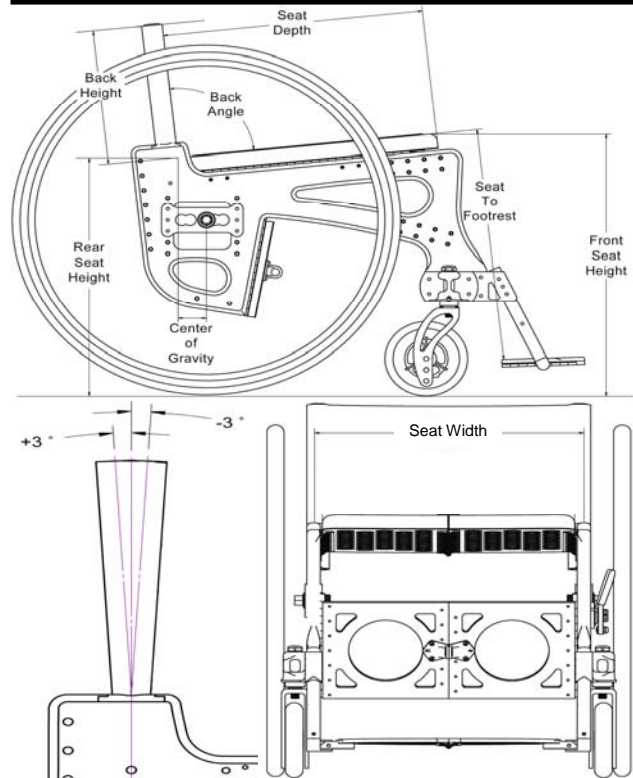
³ Must be at least 2" less than Front Seat Height and the longer included footrest tubes are not adjustable below 16".

⁴ Parts are otherwise made from Stainless Steel.

SEAT HEIGHT CONFIGURATIONS

Rear Seat Height	Axle Plate Position	Wheel Size
15 1/4"	0"	24"
16"	3/4"	24"
16 1/4"	0"	26"
16 3/4"	1 1/2"	24"
17"	3/4"	26"
17 1/2"	2 1/4"	24"
17 3/4"	1 1/2"	26"
18 1/2"	2 1/4"	26"
Front Seat Height	Caster Position	Caster Size
17 1/4"	3/4"	3"
17 1/2"	0"	5"
17 3/4"	3/4"	4"
18"	1 1/2"	3"
	3/4"	5"
18 1/2"	0"	6"
	1 1/2"	4"
18 3/4"	1 1/2"	5"
	3/4"	6"
19 1/2"	1 1/2"	6"

MEASUREMENTS



Aero Innovative Research, Inc.

500 W. Clay Street
Valley Center, KS 67147

Phone: 316-755-3477
Fax: 316-755-3374

E-Mail: Contactus@airwheelchair.com www.airwheelchair.com

